



1011 – 27th Avenue; P.O. Box 6040 • Rock Island, IL 61204-6040
Phone: (309) 788-7644 • Fax: (309) 788-7691 • Email: ri@missman.com • Website: www.missman.com

FACSIMILE TRANSMITTAL

Date: June 25, 2010

Company: _____
Attn: PLAN HOLDERS
Fax No: _____
Phone No: _____

From: Scott Kammerman
Re: Village of Viola-STP Upgrade
IEPA PROJECT #L-17-292900
Addendum #1

Page 1 of 7

Remarks

Enclosed is **ADDENDUM NO. 1** for the subject project.

BID DATE: 11:00 A.M., JULY 7, 2010

Please acknowledge Addendum #1 on page 1 of Bid Form of Proposal. This Addendum will be sent by Fax and available to download on our website www.missman.com under "Out to Bid".

Signed: Scott Kammerman

C: _____

Please call (309) 788-7644 if you did not receive all pages.

The information contained in this facsimile transmittal is intended only for the personal and confidential use of the designated recipient(s) named above. If the reader of this message is not the intended recipient or agent responsible for delivering it to the intended recipient, you are hereby notified that you have received this document in error, and that any review, dissemination, distribution or copying of this message is strictly prohibited. If you have received this communication in error, please notify our office immediately by phoning collect, and return the original message to us at the above address by available mail service, at our expense.

June 25, 2010

VILLAGE OF VIOLA
VIOLA STP UPGRADE
IEPA PROJECT #L-17-292900
2010

BID DATE: 11:00 A.M., JULY 7, 2010

ADDENDUM #1

TO: All Plan Holders:

The following amendments shall apply to the captioned project:

SPECIAL INSTRUCTIONS TO BIDDERS, PAGE SIB-1

BIDDER PREQUALIFICATION REQUIREMENTS

DELETE the Entire Section

ADD:

STATEMENT OF BIDDER'S QUALIFICATIONS

Each Bidder shall submit with the Bid a statement of the Bidder's qualifications, his experience record in constructing the type of improvements embraced in the contract, his organization and equipment available for the work contemplated, unfinished work under contract as of the date of this Bid, the starting date for this Project, and, when specifically requested by the Owner, a detailed financial statement. The Owner shall have the right to take such steps as it deems necessary to determine the ability of the Bidder to perform his obligations under the Contract and the Bidder shall furnish the Owner all such information and data for this purpose as it may request. The right is reserved to reject any Bid where an investigation of the available evidence of information does not satisfy the Owner that the Bidder is qualified to properly carry out the terms of the Contract.

SPECIFICATIONS:

DIVISION 2 – SITE WORK

Section 02732 – Site Sanitary Sewage Systems

Page 02732-2

2.1 SPECIALTY VALVES & FITTINGS

B. Telescoping Valve:

5. Total Travel: Change 5'-0" to **3'-0"**

ADD:

2.13 MISCELLANEOUS VALVES

- A. Plug Valves shall be 6" Dezurik model, hand wheel operated, flange joint or equal.

B. Check Valves:

1. Service: On discharge side of submersible pumps.
2. Material: Body and cover, gray cast iron, Class 35.
3. Flange drilling: ANSI B 16.1, Class 125.
4. Style: Outside lever and weight.
5. Manufacturer: Clow F5382 or equal
6. Size: 6".

Section 02271 – Rip-rap

DELETE the Entire Section

No rip rap will be required for the lagoon berms.

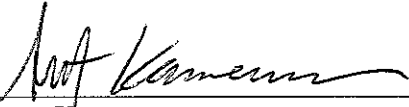
PLANS:

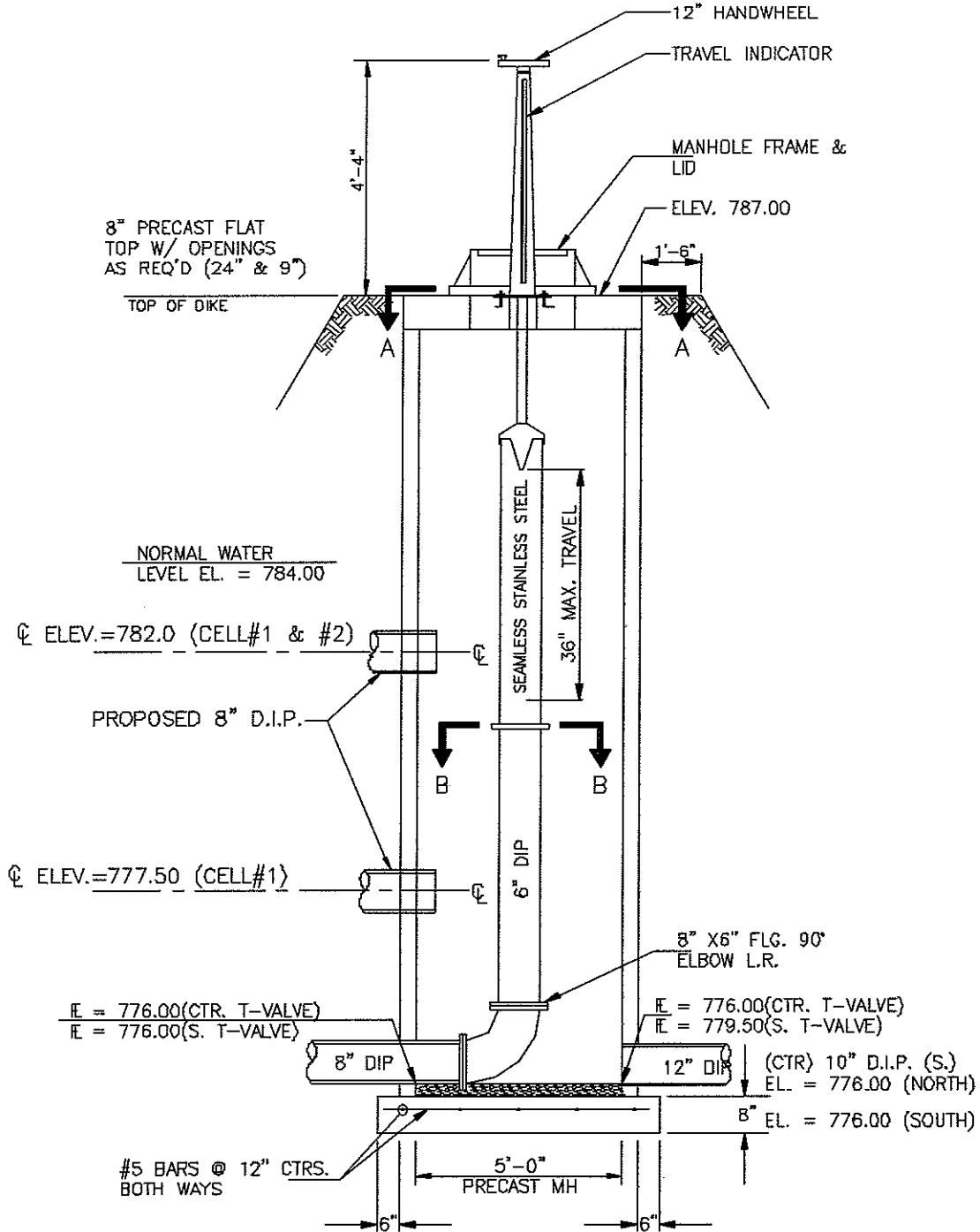
The Proposed invert elevations of the North & South telescope valves & manholes shall be amended to 776.00. The resulting maximum travel for the proposed telescope valves shall be 36". Please see the attached drawings for details.

Please acknowledge Addendum #1 on page 1 of Bid Form of Proposal. This Addendum will be sent by Fax and available to download on our website www.missman.com under "Out to Bid".

Respectfully submitted,

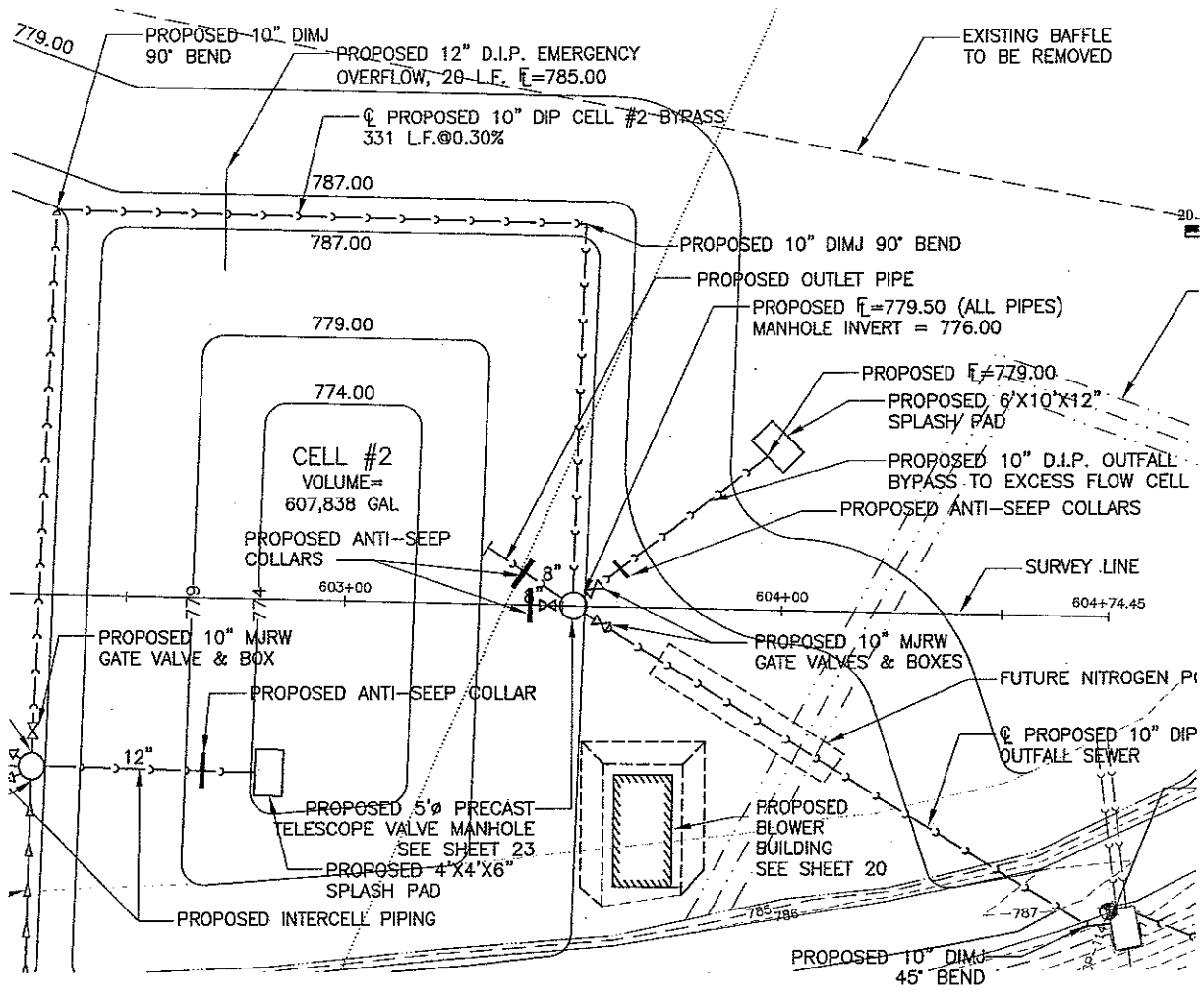
MISSMAN, STANLEY & ASSOCIATES, PROF. CORP.

By  _____
Scott Klammerman

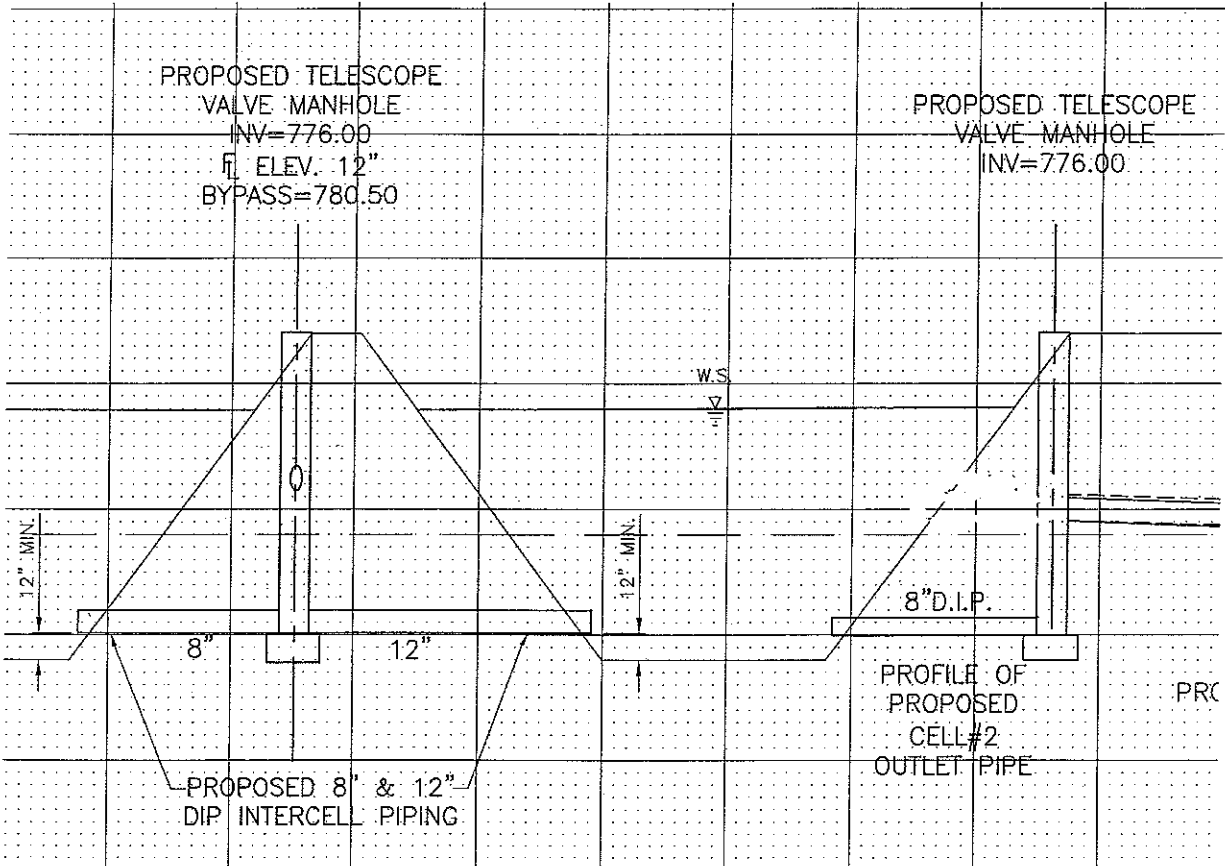


CONTROL MANHOLE
WITH TELESCOPING VALVE
 TYPICAL FOR CELLS #1 & #2
 NO SCALE

AMENDED JUNE 16, 2010



AMENDED JUNE 16, 2010



AMENDED JUNE 16, 2010